



MINISTRY OF INDUSTRY  
AND TRADE OF RUSSIA

# Russian valves for medical oxygen supply

## PJSC «Elektromekhanika»

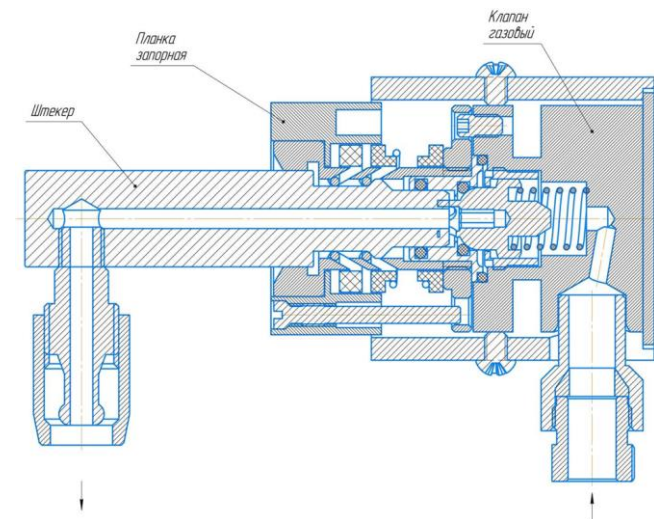
Fast-disconnectable valve system SKB (hereinafter SKB) is intended for installation in low-pressure gas pipelines with the pressure 0.2 MPa (2.0 kgf / cm<sup>2</sup>) or less and serves for the operational connection of pneumatic equipment to a gas source.

**The manufacturer guarantees** the normal operation of the product for 12 months, but not more than 18 months from the date of shipment.



Specifications	
Nominal diameter DN, mm	4
Nominal pressure PN, MPa	0,01 to 0,2
Tightness class GOST 9544	B <sub>1</sub>
Maximal gas consumption, l/min., or more	40
Dimensions, mm	125x70x45
Weight, kg or less	1,0

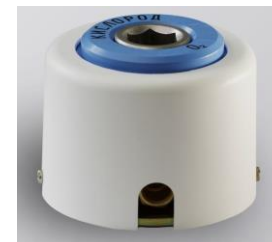
One set contains	
SKB valve	1 pcs.
Passport	1 pcs.
Price, USD	149,5



Company contact details:  
172386, Russia, Tver region, Rzhev city,  
Zavodskoe shosse, 2  
Phone +7 48232 2-06-06,  
+ 7 48232 2-28-24  
E-mail: info@el-mech.ru  
www.el-mech.ru

## PJSC «Saransk Instrument Works»

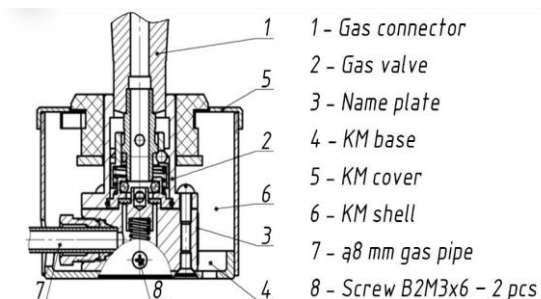
Seq.	Name	Unit price, in USD
1.	Quick-connect system КБС-1 ЦТКА.494.689.001 000	90
2.	Gas connector ЦТКА.494.689.002 000	23
3.	Adapter ЦТКА.494.689.005 Adapter to the moisturizer adapter	15
3.1	Adapter ЦТКА.303.638.005 Moisturizer adapter	8
4	Needle valve	23



INSTALLATION IN MAINS  
TRANSFERRING GASES AS FOLLOWS



Design documentation (DD) symbol	Name	Operating medium (gas type)	Color of name plate (part)
ЦТКА 494689.001 -01 -02 -03 -04	КБС-1	oxygen	blue
		carbon dioxide	black
		nitrous oxide	green
		air	yellow
		vacuum	red
ЦТКА 494689.002 -01 -02 -03 -04	Gas connector (ШГ) to КБС-1	oxygen	blue
		carbon dioxide	black
		nitrous oxide	green
		air	yellow
		vacuum	red
ЦТКА 494689.003 -01 -02 -03 -04	Gas valve (КТ) to КБС-1	oxygen	blue
		carbon dioxide	black
		nitrous oxide	green
		air	yellow
		vacuum	red
ЦТКА 494689.004	Mounting box (KM) to КБС-1	oxygen	blue
		carbon dioxide	black
		nitrous oxide	green
		air	yellow
		vacuum	red



Service life limit - 3,000 hours  
Assigned life - 4 years

Company contact details:  
4300309, Russia, the Republic of Mordovia,  
Saransk, Vasenko str.,  
tel.: (8342) 29-65-18,  
fax: (8342) 33-37-58  
E-mail: spz@saranskpribor.ru,  
<http://www.saranskpribor.ru>

## FKP «Saranskiy mekhanicheskiy zavod»

Valve quick-release system SKB/CKB is designed for installation into low-pressure gas lines of no more than 0.6 MPa (6.0 kgf/cm<sup>2</sup>) and is used for rapid connection of pneumatic equipment to the source of needed gas.

**Valve quick-release system (SKB) consists of three assembly units:**

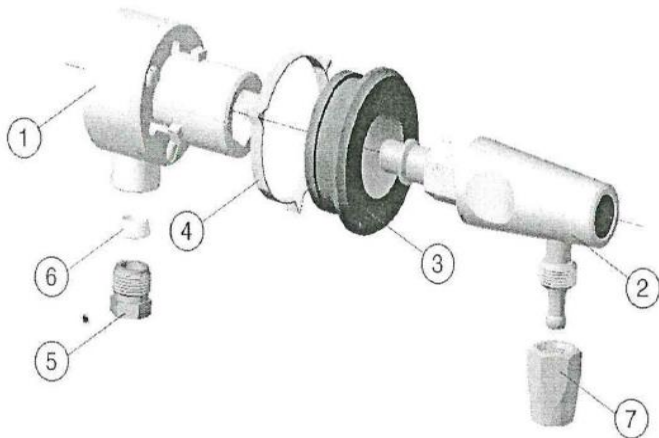
- gas plug (ШГ)
- gas valve (КГ)
- junction box (КМ)

At the request of customer, the assembly units' components of SKB can be supplied separately.

Mean cycles between failures is 3000 cycles.

**Assigned service life is 3 years.**

**Price: 135 USD**



- Pos. 1 - Valve
- Pos. 2 - Gas plug RIDB. 302634. 001
- Pos. 3 - Button RIDB. 714551. 017
- Pos. 4 - Clamp RIDB. 758561. 009
- Pos. 5 - Outlet (nozzle) RIDB. 753127. 001
- Pos. 6 - Sealing Sleeve RIDB. 757513. 002
- Pos. 7 - Screw-nut RIDB. 712363. 004



Company contact details:  
430001, Russia, Republic of Mordovia,  
Saransk, Promyshlennyy proyezd, Building 1  
Tel: +7 (499) 702-30-80  
Fax (8342) 47-11-40  
<http://www.sarmz.ru>; [info@sarmz.ru](mailto:info@sarmz.ru)



## LLC «LD PRIDE» - member of the LD group companies, quickly developed the process of ball valves production for medical gas

Volume of purchase, pcs.	Price per unit (Euro)
<b>under the tube 8 mm, 10 mm, 12 mm / "herringbone" adapter</b>	
To 10	13
From 10	12
From 50	11
From 100	9
От 200	8
<b>under the tube 8 mm, 10 mm, 12 mm / under the tube 8 mm, 10 mm, 12 mm</b>	
To 10	12
From 10	11
From 50	10
From 100	10
От 200	8
<b>for tube 8 mm, 10 mm, 12 mm / thread G1 / 4</b>	
To 10	12
From 10	11
From 50	10
From 100	9
От 200	8

Ball valves **LD Pride Oxygen** are made of brass according to GOST 15527-2004. The body parts, the ball are nickel-plated, which provides additional corrosion resistance and durability, and is also completely inert when interacting with oxygen, not excluding harmful chemicals. Handle with mounting tabs made of aluminum alloy with polyurethane powder coating.

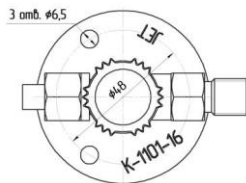
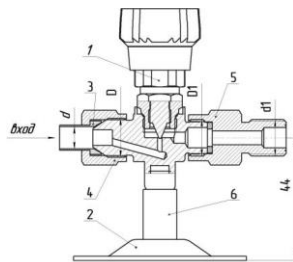
**Manufacturer's warranty** - 5 years from the date of start up.



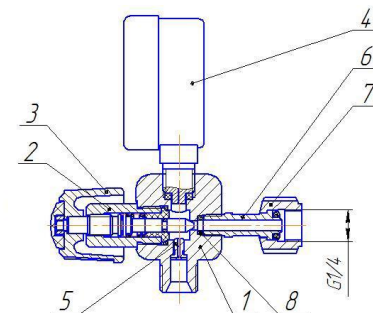
Company contact details:  
 LLC "LD PRIDE", 454010, Chelyabinsk,  
 Yeniseyskaya street, 56.  
 Phone: + 7 (351) 730-47-47 ext. 105, ext.  
 134, ext. 164, ext. 181  
 E-mail: global@chsgs.ru

## LLC «PROJET»

Product	Price, \$
Shut-off valve K-1101-16 (VCM)	10,47
Shut-off valve K-1104-16 (VM-06) (8 mm) without pressure gauge	26,74
Shut-off valve K-2413-10	22,80
Collector ramp KR-011-th 2-valve	138,57
Collector ramp KR-011-th 3-valve	192,40
Gas supply post PK-4M(1x1) (floor box for 1 gas)	216,07
Gas supply station PK-4M(2x2) (floor box for 2 gas)	274,53
Gas supply station PK-4M(3x3) (floor box for 3 gas)	392,13
Quick-release double valve system SKB-1	233,31
Quick-release valve system SKB-1	120,03
Quick-release triple valve system SKB-1	346,56



- 1-valve
- 2-flange
- 3-nipple
- 4-nut
- 5-adapter
- 6-bushing



- 1-housing
- 2-valve assembly
- 3-flywheel
- 4-flow meter
- 5-consumable screw
- 6-fitting
- 7-nut
- 8-o-ring

Company contact details:  
426039, Udmurt Republic, Izhevsk,  
Votkinskoye Highway, 298  
tel.: 8 (3412) 60-15-27, 8 (3412) 60-15-28  
ax: 8 (3412) 970-161

## JSC «Zlatoust watch factory»

**Stainless Steel Needle Valves**, made by Zlatoust Watch Factory, are Precision Metering Valves offering extremely precise flow control of gases or liquids with a working pressure up to 250 psi. The combination of a long-tapered stainless steel needle and an ultra-fine stem thread results in unmatched precision.

Name	Reference code	Output execution	Price
NV-217	217AИЖ4.460.000	right	27 USD
NV-217-01	217AИЖ4.460.000-01	left	
NV-218	218AИЖ4.460.001	not specify	



### Technical characteristics

Version	217AИЖ4.460.000	217AИЖ4.460.000-01	218AИЖ4.460.001
Working pressure, MPa	1,6		
Overall dimensions, mm.	Φ60x94	Φ60x94	Φ55x107

Company contact details:  
 Address: Lenin str., 2; office 11, 456200,  
 Zlatoust, Chelyabinsk reg., Russia  
 Phone: (3513) 62-06-15  
 Phone/fax: (3513) 62-06-16  
 Email: info@agatfactory.com